

## NOT YET READY TO PURCHASE A SMART TOILET? PLAN TODAY AND INSTALL AN ELECTRICAL OUTLET FOR A FUTURE INSTALLATION.

### BE SMART.



**Within the next 10 years, a smart toilet will become the norm**, just like smartphones are today. Its integration should be kept in mind today while building or remodeling a bathroom.

The running of an electrical wire for a GFI outlet while the walls are opened is fast and cost effective. Find options and details on the suggested installation templates at the back of this leaflet.

## ADVANTAGES OF A SMART TOILET



### SMART SEAT

The seat opens/closes when your presence is detected, and auto-flushes once you're done.



### SMART LED LIGHTING

The in-bowl LED light makes it easy to find your way at night, eliminating the need of opening your bathroom light fixture.



### SMART WIDE & HEATED SEAT

A 4-inch (10cm) ergonomically designed toilet seat made for every *body* will always welcome you with comfort and warmth with its heating function.



### SMART DEODORANT SYSTEM

A smart toilet eliminates odors with the powerful air deodorizer which filters the air from the bowl. In addition, the auto-clean feature is activated after every use. The toilet is equipped with a strainer filter for minimal maintenance.



### SMART HYGIENIC WASH

A smart toilet is equipped with an antibacterial stainless steel nozzle that provides 3 types of preheated washes:

- Posterior wash
- Feminine wash
- Turbo wash\*

\*Turbo Wash: can relieve constipation



### SMART AIR DRYING

The warm air drying option can be turned into dry air when needed.



### SMART TANKLESS & TOUCHLESS EVACUATION

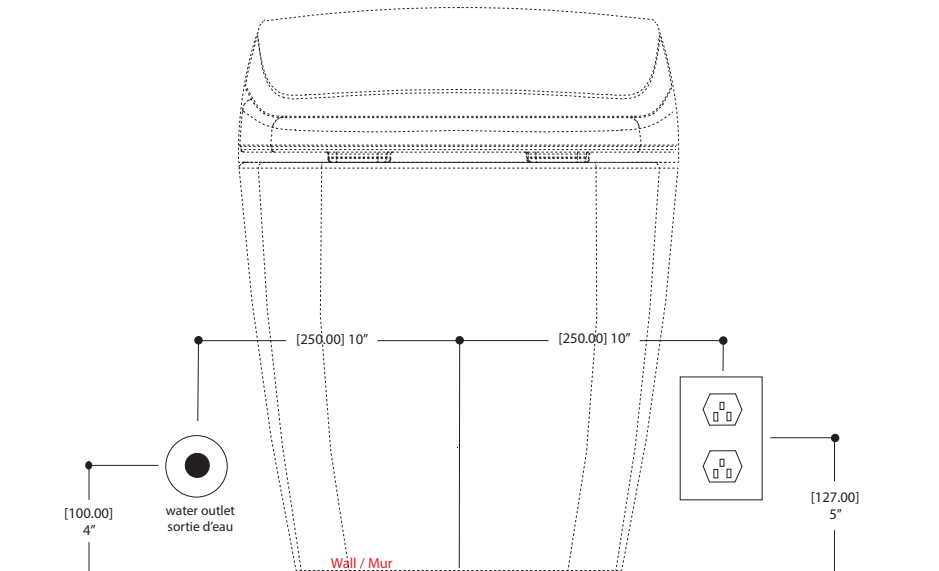
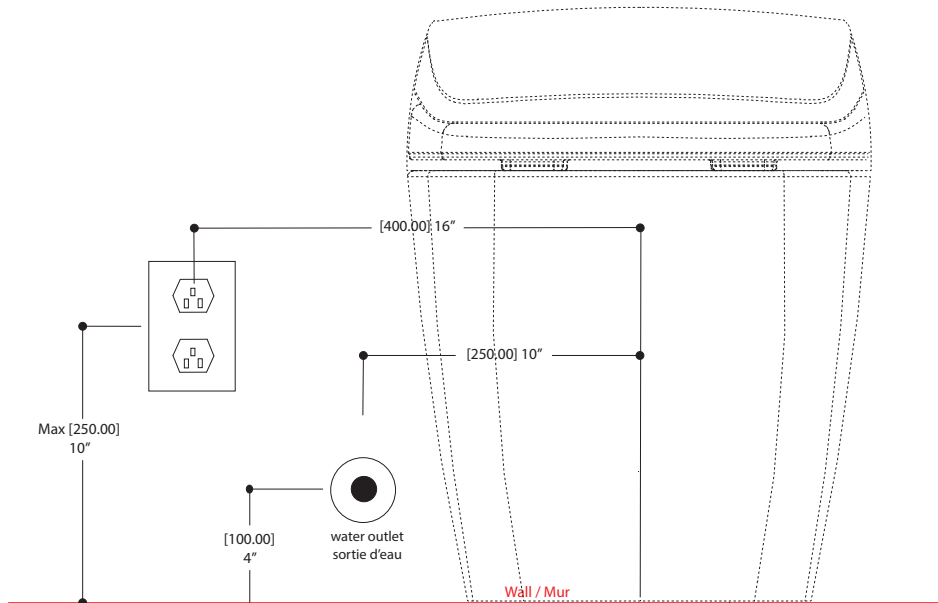
A smart toilet allows the adequate amount of water inside the p-trap, provoking an effective auto-evacuation after each use. What is more, the toilet has a direct connection to the water source, eliminating the need for a water tank.

### DID YOU KNOW?

Toilet paper can have side effects when used directly on our skin, such as rashes, allergies and dryness. In addition, they clog drains and water filtration plants. **Let's be SMART and wash with water instead!**

## SUGGESTED ELECTRICAL OUTLET INSTALLATION TEMPLATES\*

**LEFT SIDE**



**RIGHT SIDE**

\* Regional codes must be verified by the professional installer to comply with local regulations.